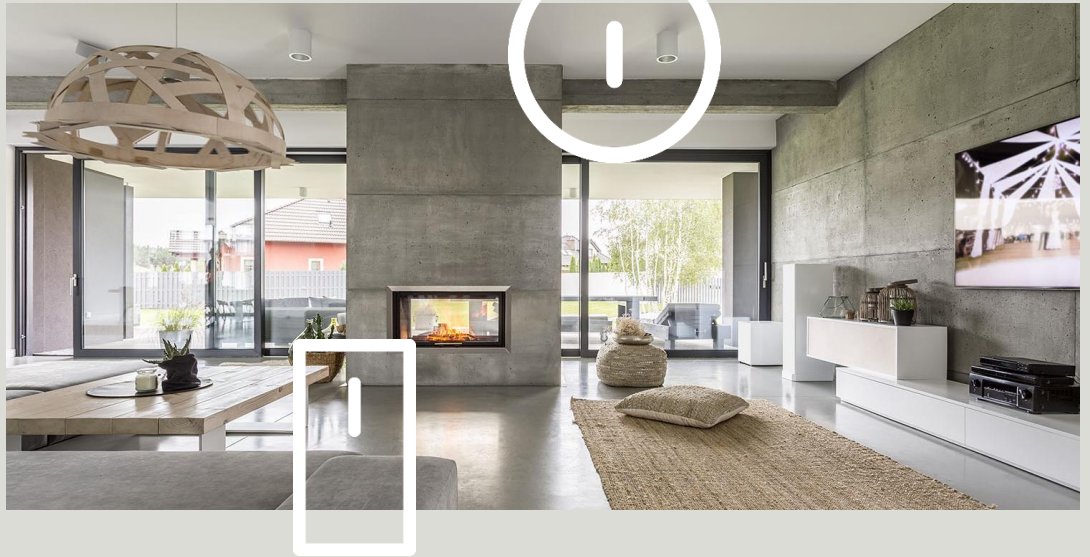
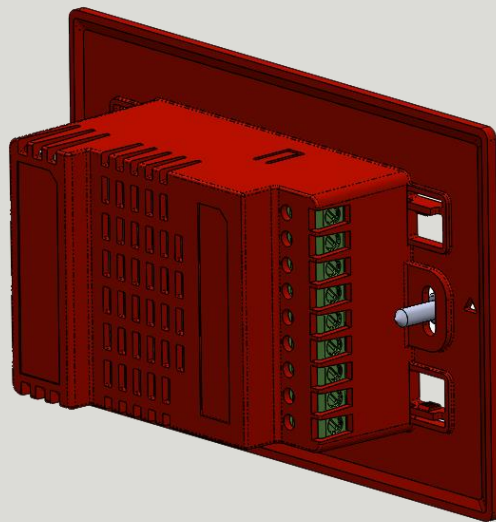


DOMEX



The Domex Electrobox

One of 3 built-in electronic bodies (D6, R6, R3 or SAT), each allowing for various dimmer, relay, and SAT modes (for scenarios) and dimmer/power/motor combinations



DOMEX



DMX-R6

R6 Electrobox

6 Relay 10A EU/US/AU

6 HV Relay 10A each

Max load 16A per channel

Offers various combinations of lighting and shutter controls, as well as 3rd-party appliances

R6 Electrobox Specifications

Operation Voltage	Isolated AC 70/220V 50-60HZ
Relay	Six 6 relay HV 10A Each
Terminals	CUI 5.0 mm pitch
Mounting Back Box	
EU Standard	3 Module – 58mm H X 94 mm W X 49mm D
	4 Module – 58mm H X 116mm W X 52mm D
AU Standard	
US Standard	
Operating temperature	-40 / +70

DOMEX



DMX-R6

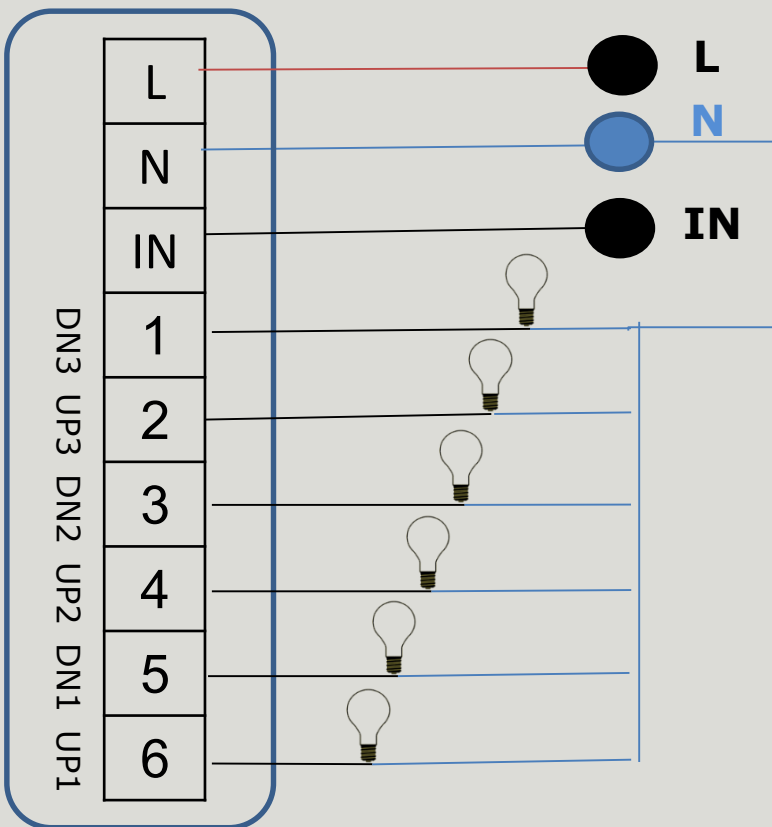
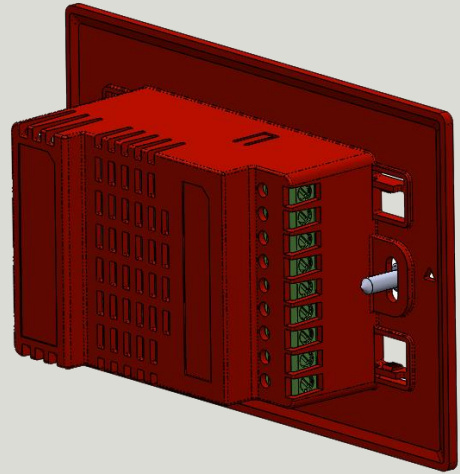
R6 Electrobox

6 Relay 10A EU/US/AU

Switch Combinations

DOMEX 4 light Switch

DOMEX 6 light Switch



DOMEX



DMX-R6

R6 Electrobox

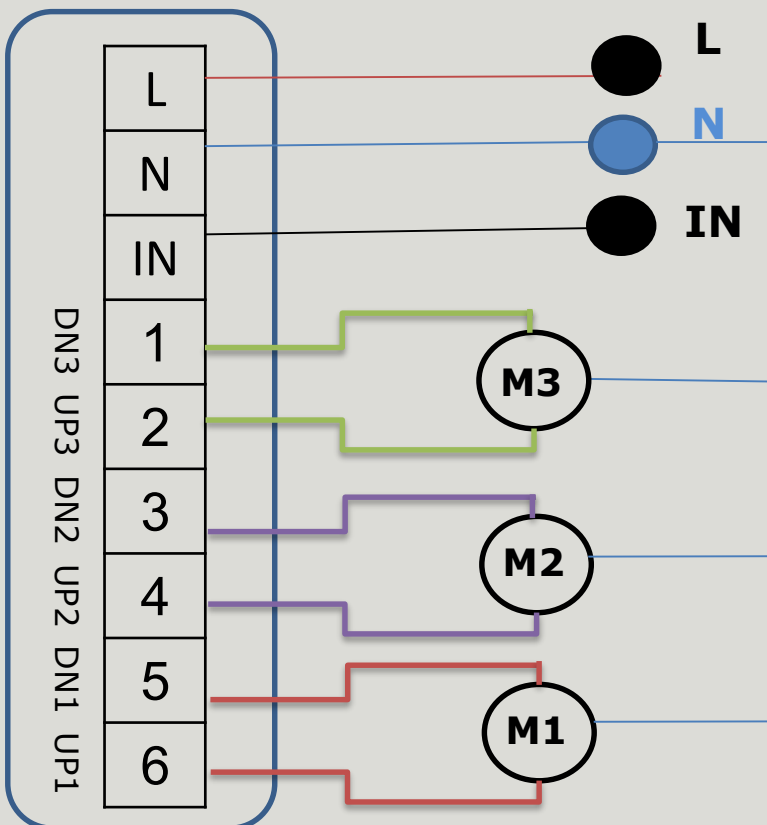
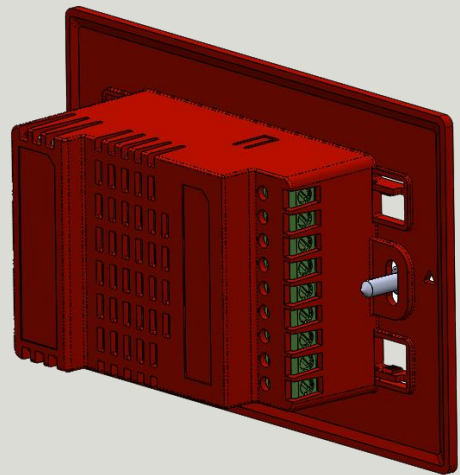
6 Relay 10A EU/US/AU

Switch Combinations

DOMEX 0 light 1 Motor Switch

DOMEX 0 light 2 Motor Switch

DOMEX 0 light 3 Motor Switch



DOMEX



DMX-R6

R6 Electrobox

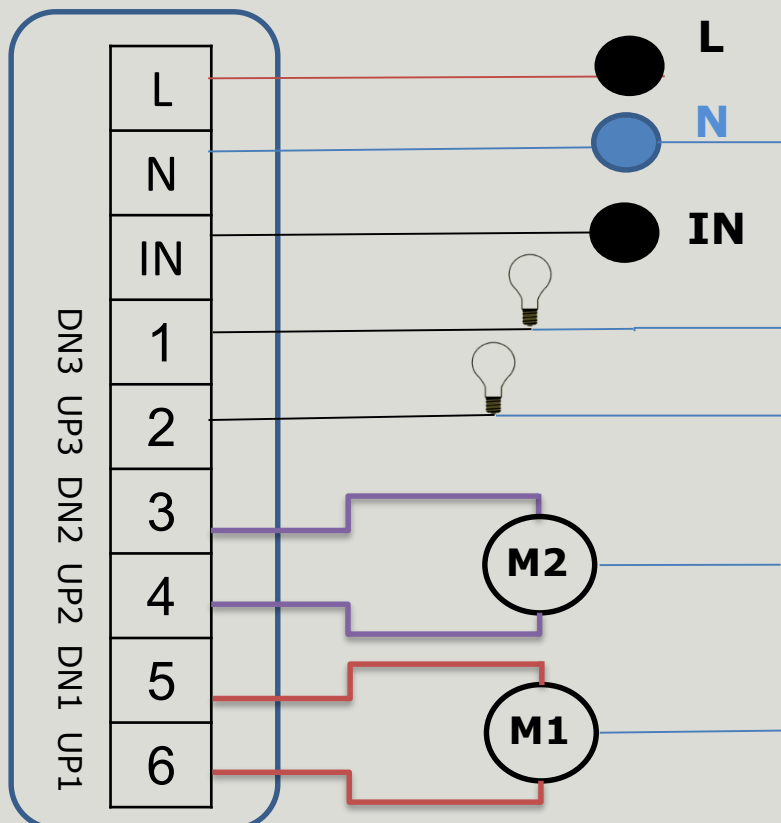
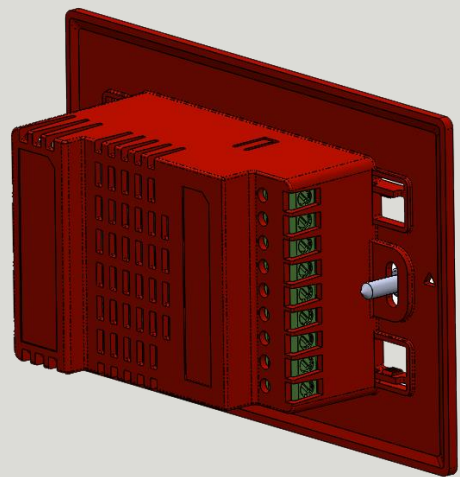
6 Relay 10A EU/US/AU

Switch Combinations

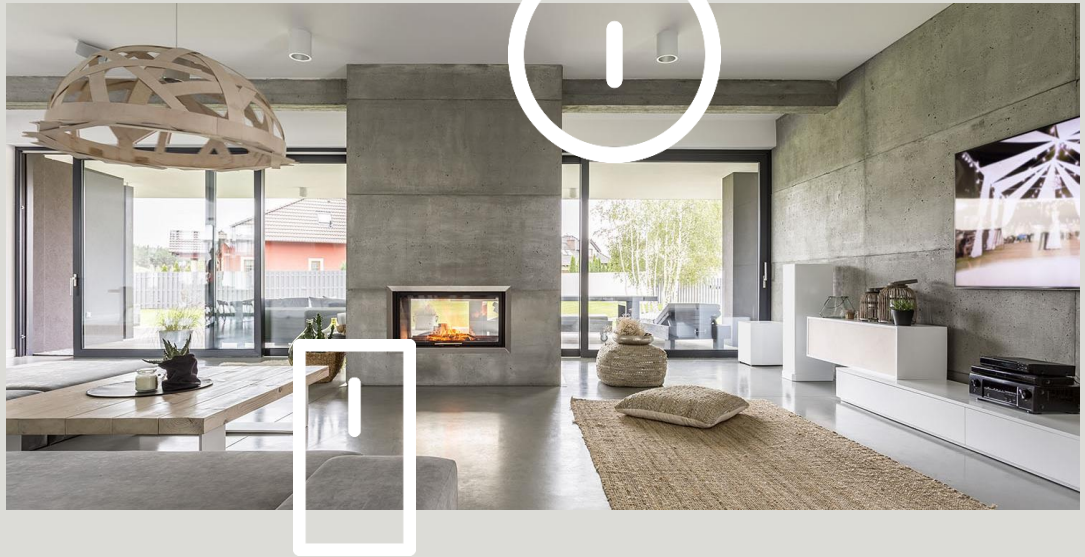
DOMEX 2 light 1 Motor Switch

DOMEX 4 light 1 Motor Switch

DOMEX 2 light 2 Motor Switch



DOMEX



How To Build a Model Number

DMXIL – GCW – L1 – EP – R3 – 3

Region

DMXIL - Israel
DMXEU - Europe, U.A.E
DMXAU - Australia
DMXUS - U.S.A.,Canada

GANG

3 - 3 GANG MODULE
4 - 4 GANG MODULE

Material

G - Glass
M - Matt
ST - Stone

Design

C - Circle
R - Rectangular
S - Square
O - Ogee
M - Moon

Color

W - White
B - Black
GR - Gray

Electronic Box

R3 - Domex 3 Relay 16A EU/US/AU
R6 - Domex 6 Relay 10A EU/US/AU
D6 - Domex 4HV and 2LV Dimmer EU/US/AU

Function

L1 - 1 Light Switch
L2 - 2 Light Switch
L3 - 3 Light Switch
M1 - 1 Motor Switch
BO - Smart Boiler Control
L4 - 4 Light Switch
L2M1 - 2 Light 1 Motor
M2 - 0 Light 2 Motor
L6 - 6 Light Switch
2L2M - 2 Light 2 Motor
4L1M - 4 Light 1 Motor
3M - 0 Light 3 Motor

Control

EP - End Point Switch , Zwave 700 ,ESP32, WIFI and BLE
SS - Sat Switch Z-Wave 700 Chipset
CON - Controller